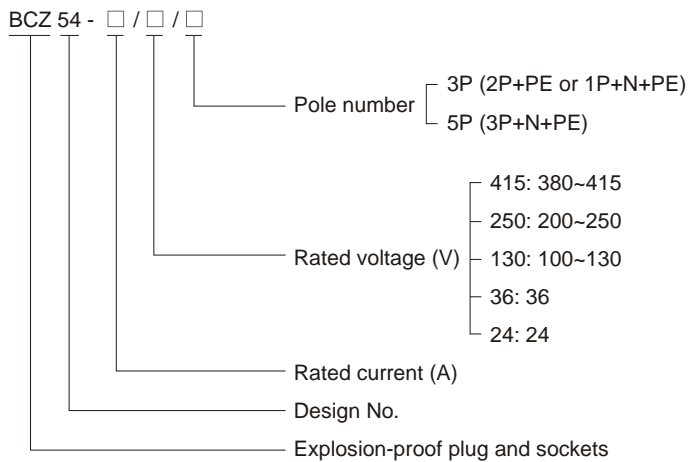


Plug and Sockets

BCZ54 Series Explosion-proof Plug and Sockets

- ◆ Explosion protection to
 - CENELEC
 - IEC
- ◆ Can be used in
 - Zone 1 and Zone 2
 - Zone 21 and Zone 22
- ◆ 2 enclosure types; 4 current ratings (16A,32A,63A,100A); 3P or 5P.
- ◆ Plug can only be pulled out when switch is off; turn on the power after inserting the plug.
- ◆ Canopy is recommended for outdoor use.
- ◆ Copper-free aluminium enclosure; powder coated external surface.

■ Catalogue number logic



Zones 1&2; 21&22

Selection table

Type	Voltage (V)	Pole number	Schematic diagram	Ordering code	Weight (kg)
	380~415	3P+N+PE		30011	3.25
	200~250	1P+N+PE		30012	3.10
	100~130	1P+N+PE		30013	3.10
	36	2P+PE		30014	3.10
	24	2P+PE		30015	3.10
	380~415	3P+N+PE		30016	3.35
	200~250	1P+N+PE		30017	3.20
	100~130	1P+N+PE		30018	3.20
	36	2P+PE		30019	3.20
	24	2P+PE		30020	3.20
	380~415	3P+N+PE		30021	30.30
	380~415	3P+N+PE		30022	30.30

Note: Plug and sockets are supplied as one complete set when ordering according to the above ordering code.



Technical data

Explosion-proof plug and sockets **BCZ54-16/□/□, BCZ54-32/□/□**

Explosion protection

Gas explosion protection

⊕ II 2 G Ex de IIB T¹ Gb

¹⁾ BCZ54-16/□/□: T6; BCZ54-32/□/□: T5

Certificates

For gas explosion protection

Nemko 09 ATEX 1013; IECEx CQM 11.0039

Conformity to standards

EN 60079-0:2006, EN 60079-1:2004, EN 60079-7:2004
IEC 60079-0:2007, IEC 60079-1:2007, IEC 60079-7:2006

Enclosure material

Copper-free aluminium; powder coated external surface

Enclosure colour

Window grey (RAL7040)

Exposed fastener

Stainless steel

Rated voltage

Max. 415V AC

Rated current

16A, 32A

AC 3

AC 3

Switch capacity

Application

AC 3			AC 3		
Ie(A)	Ue(V)	P(kW)	Ie(A)	Ue(V)	P(kW)
16	380, 400, 415	7.5	32	380, 400, 415	15
16	200, 230, 250	4.0	32	200, 230, 250	7.5
16	100, 120, 130	2.0	32	100, 120, 130	4
16	36	1.0	32	36	1.5
16	24	0.5	32	24	1.0

Degree of protection

IP54 (IP65 with canopy)

Ambient temperature

-20°C ~ +55°C

Cable entry of socket

Standard 1 x G1" plug

Cable entry of plug

Standard 1 x G1 1/4" plug

Cable gland (optional)

DQM-II (Ex d) or DQM-III (Ex d) is recommended. Please see P7/20~25.

Available cable outer diameter

Φ12 ~ Φ19 (mm)

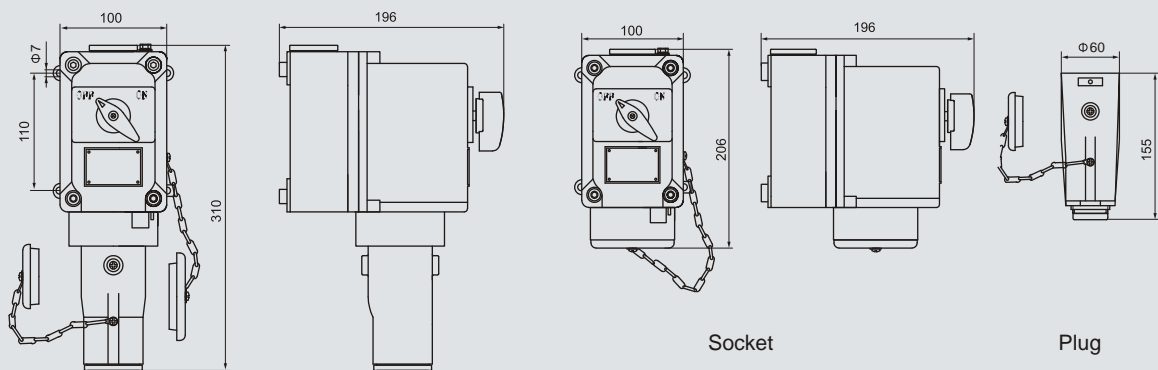
Cable connection

16A: 3 x (2.5~4) mm² or 5 x (2.5~4) mm²

32A: 3 x (4~6) mm² or 5 x (4~6) mm²



Dimension drawings (all dimensions in mm) - subject to alteration



Plug and Sockets

BCZ54-16/□/□; BCZ54-32/□/□

Technical data

Explosion-proof plug and sockets **BCZ54-63/□/□, BCZ54-100/□/□**

Explosion protection

- Gas explosion protection
- Dust explosion protection

Ex II 2 G Ex d IIB T4 Gb Ex d IIB T4 Gb
Ex II 2 D Ex tD A21 T130°C IP65 Ex t IIB T130°C Db IP65

Certificates

Nemko 11 ATEX 1011; IECEx CQM 11.0024

Conformity to standards

EN 60079-0:2009, EN 60079-1:2007, EN 61241-1:2004
IEC 60079-0:2007, IEC 60079-1:2007, IEC 60079-31:2008

Enclosure material

Copper-free aluminium; powder coated external surface

Enclosure colour

Window grey (RAL7040)

Exposed fastener

Stainless steel

Rated voltage

Max. 415V AC

Rated current

63A, 100A

Switch capacity

AC 3			AC 3		
Ie(A)	Ue(V)	P(kW)	Ie(A)	Ue(V)	P(kW)
63	380, 400, 415	30	100	380, 400, 415	37

Application

Degree of protection

IP65

Ambient temperature

-20°C ~ +55°C

Cable entry of socket

Standard 1 x G2" plug

Cable entry of plug

Standard 1 x G2" plug

Cable gland (optional)

DQM-II (Ex d) or DQM-III (Ex d) is recommended. Please see P7/20~25.

Available cable outer diameter

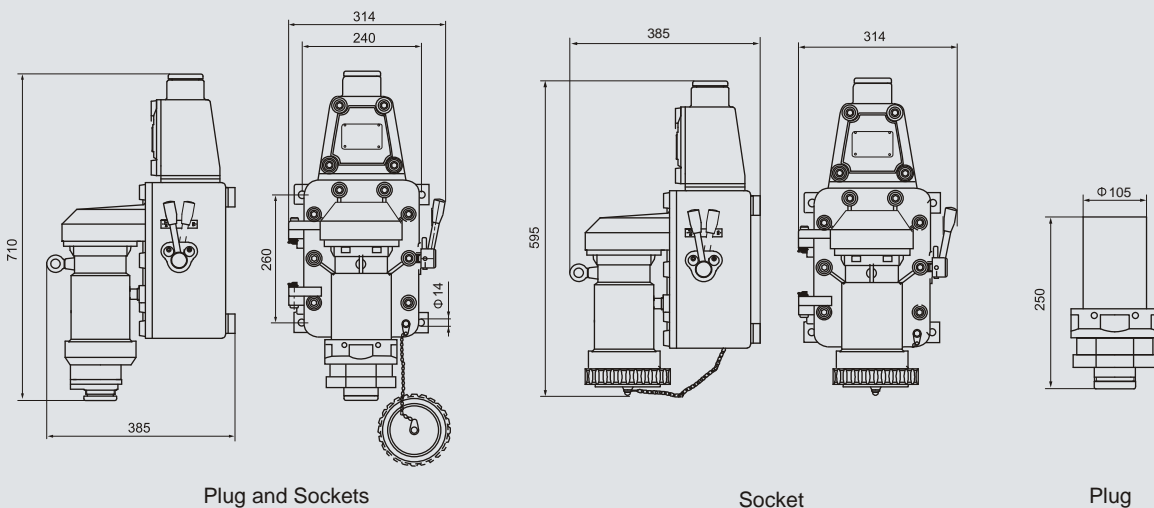
Φ25 ~ Φ35 (mm)

Cable connection

63A: 5 x (10~16)mm²
100A: 5 x (16~25)mm²



Dimension drawings (all dimensions in mm) - subject to alteration



BCZ54-63/□/□; BCZ54-100/□/□