

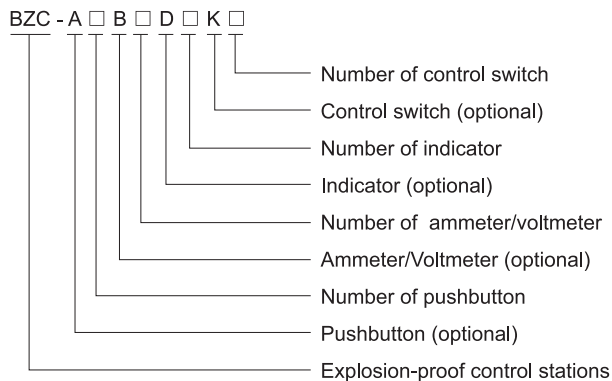
Control Stations

BZC Series Explosion-proof Control Stations (Ex d IIB+H2)



- ◆ Explosion protection to
 - CENELEC
 - IEC
 - NEC
- ◆ Can be used in
 - Zone 1 and Zone 2
 - Zone 21 and Zone 22
 - Class I, Zone 1 and Zone 2
 - Class I, Division 1, Groups B, C, D
- ◆ Copper-free aluminium enclosure, powder coated surface.
- ◆ Six types of enclosure .

■ Catalogue number logic



■ Note

1. Please refer to the Selection table on P4/5.
2. Please select internal components as below:
 - Selection table of HA pushbutton on P4/8~11 (Nominal contact is 1NO+1NC);
 - Selection table of HD indicator on P4/12~13;
 - Selection table of HK control switch on P4/14~17;
 - Selection table of BB8050 explosion-proof ammeter/voltmeter on P4/51~53;
3. Example: BZC-A2B1K1
 - Components: Two pushbuttons, one ammeter, one control switch ;
 - Tech. Details: One start pushbutton (40036B + 40033, green, 1NO+1NC);
 - One stop pushbutton (40036A + 40033, red, 1NO+1NC);
 - One ammeter (40126, 100/5A);
 - One control switch (Function A, stop-run-start);
4. Special requirements on request.

Zones 1&2; 21&22

Control Stations

BZC Series Explosion-proof Control Stations (Ex d IIB+H2)



Selection table of control station BZC (Ex d IIB+H2)				
Enclosure type	Components arrangement	Cable entries and direction	Ordering code	Enclosure weight (kg)
I		2-M25 x 1.5 Bottom entry	40017.....	8.00
II		1-M32 x 1.5 or 2-M25 x 1.5 Bottom entry	40018.....	9.10
III		1-M32 x 1.5 or 3-M25 x 1.5 Bottom entry	40019.....	10.20
IV		1-M40 x 1.5 or 2-M32 x 1.5 or 4-M25 x 1.5 Bottom entry	40020.....	15.90
V		1-M40 x 1.5 or 4-M32 x 1.5 or 6-M25 x 1.5 Bottom entry	40021.....	27.50
VI		1-M40 x 1.5 or 4-M32 x 1.5 or 6-M25 x 1.5 Bottom entry	40022.....	40.00

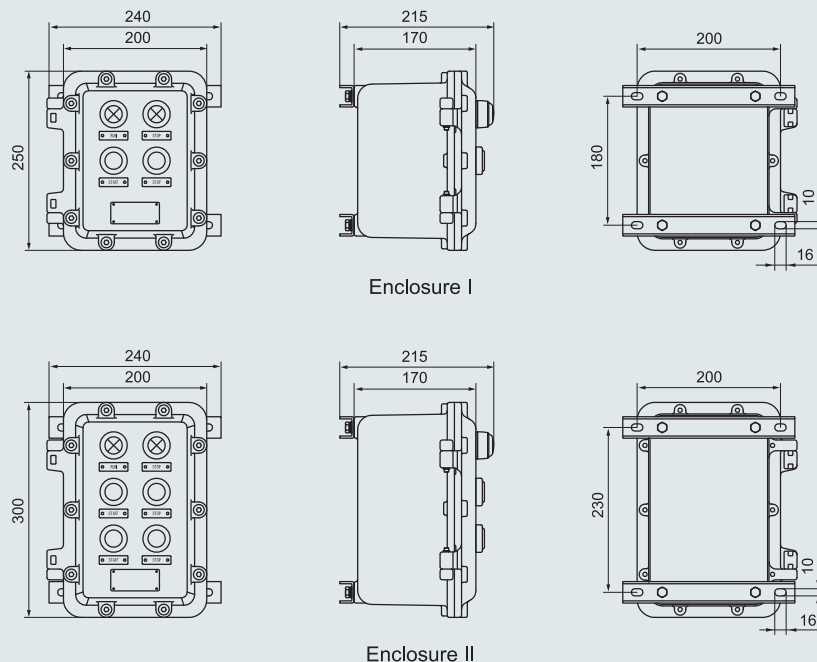
Control Stations

BZC Series Explosion-proof Control Stations (Ex d IIB+H2)

Technical data	
Explosion-proof control stations BZC (Ex d IIB+H2)	
Explosion protection	
Gas explosion protection	⊕ II 2 G Ex db IIB+H2 T6 Gb
Dust explosion protection	⊕ II 2 D Ex tb IIIC T80°C Db IP66
Certificates	TÜV CY 17 ATEX 0205967X; IECEx CQM 11.0043; RU C-CN.ГБ05.В.00345 (CU-TR) KZ.7500525.22.01.00378 (CU-TR)
Conformity to standards	EN 60079-0, EN 60079-1, EN 60079-31 IEC 60079-0, IEC 60079-1, IEC 60079-31
Enclosure material	Copper-free aluminium, powder coated surface
Enclosure colour	Window grey (RAL7040)
Exposed fastener	Stainless steel
Rated voltage	Max. 415V AC
Rated current	10A
Degree of protection	IP66, IP67 (optional)
Internal&external earthing	I, II, III: M6/M6; IV, V, VI : M6/M8;
Ambient temperature	-60°C~+55°C
Components	1. Technical data of HA pushbutton on P4/8~11; 2. Technical data of HD indicator on P4/12~13; 3. Technical data of HK control switch on P4/14~17; 4. Technical data of BB8050 explosion-proof ammeter/voltmeter on P4/51~53;
Cable entries	Standard M□ x 1.5 plug. Please see the Selection table on P4/5
Cable gland (optional)	DQM-II (Ex d) or DQM-III (Ex d) is recommended. Please see P7/20~29.
Mounting	Surface type



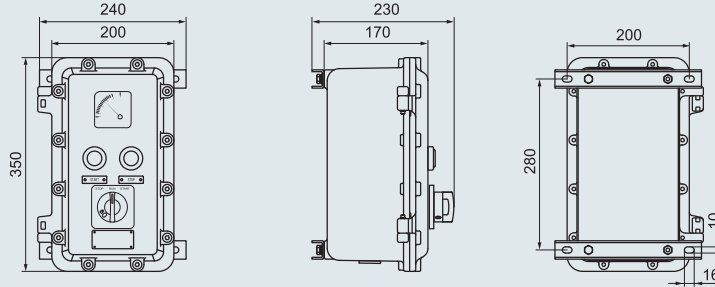
Dimension drawings (all dimensions in mm) - subject to alteration



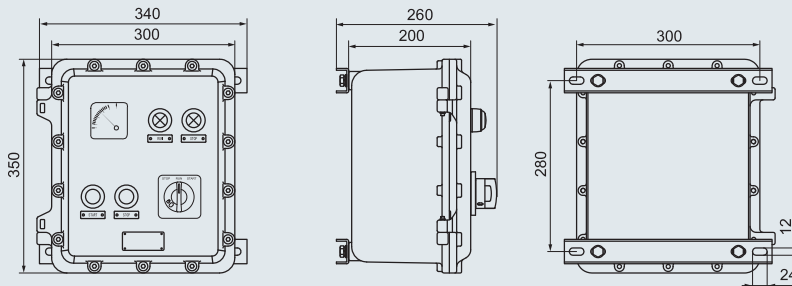
Control Stations

BZC Series Explosion-proof Control Stations (Ex d IIB+H2)

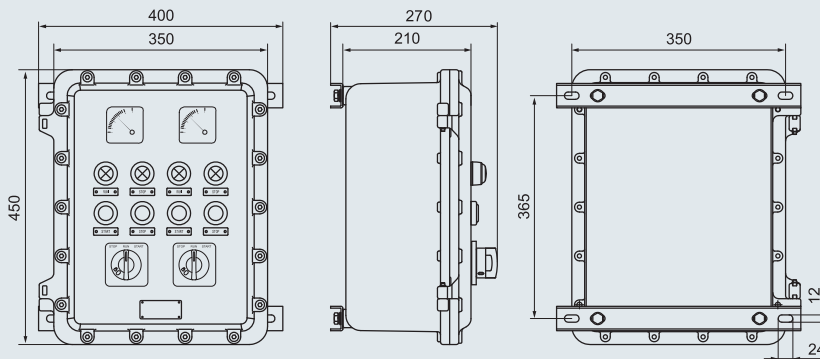
Dimension drawings (all dimensions in mm) - subject to alteration



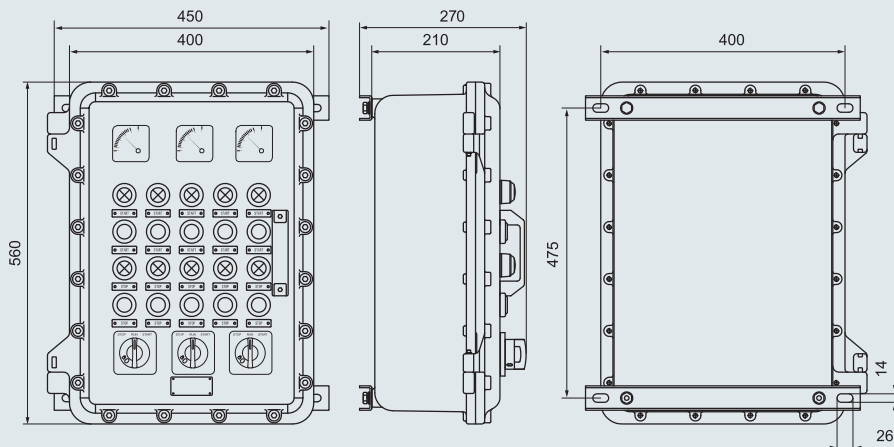
Enclosure III



Enclosure IV



Enclosure V



Enclosure VI

