

Motor Switches

BLK Series Explosion-proof Motor Switches (Ex d IIC)

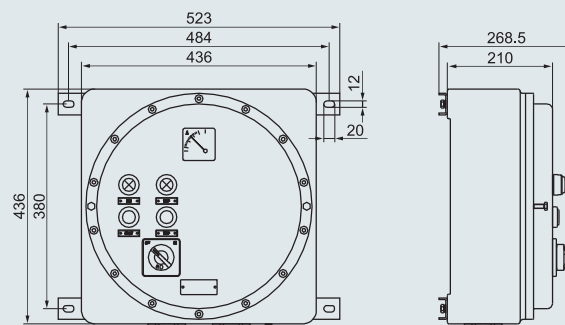
Technical data	
Explosion-proof motor switches	BLK-250/MS/□/B
Explosion protection	ⓧ II 2 G Ex db IIC T6 Gb ⓧ II 2 D Ex tb IIIC T80°C Db IP66
Certificates	Presafe 17 ATEX 10687X; IECEX CQM 12.0037X KZ.7500525.22.01.00362 (CU-TR)
Conformity to standards	EN 60079-0, EN 60079-1, EN 60079-31 IEC 60079-0, IEC 60079-1, IEC 60079-31
Enclosure material	Copper-free aluminium, powder coated surface
Enclosure colour	Window grey (RAL7040)
Exposed fastener	Stainless steel
Components	MCB (miniature circuit breaker) AC contactor Thermal overload relay Indicator, pushbutton Ammeter
Rated voltage	Max.440V AC 50/60Hz
Degree of protection	IP66
Internal&external earthing	M6/M8
Ambient temperature	-60°C~+55°C
Cable entries	Standard M□ x 1.5 plug; See Selection table as below
Cable gland (optional)	DQM-II (Ex d) or DQM-III (Ex d) is recommended. Please see P7/20~29
Entry direction	Bottom

Selection table

Version	Control motor power (kW)	Rated current of circuit breaker (A)	Adjustable range of setting current of thermal relay (A)	Rated current of contactor (A)	Cable entry size	Enclosure weight (kg)
BLK-250/MS/16/B	4	16	7~10, Ie=8.5	9	2 x M25 x 1.5	31.00
BLK-250/MS/20/B	5.5	20	9~13, Ie=11	12	2 x M25 x 1.5	31.00
BLK-250/MS/25/B	7.5	25	12~18, Ie=16	18	2 x M32 x 1.5	31.00
BLK-250/MS/32/B	11	32	16~24, Ie=23	25	2 x M32 x 1.5	31.00
BLK-250/MS/40/B	15	40	23~32, Ie=30	32	2 x M32 x 1.5	31.00
BLK-250/MS/50/B	18.5	50	30~38, Ie=36	40	2 x M40 x 1.5	31.00
BLK-250/MS/63/B	22	63	37~50, Ie=46	50	2 x M40 x 1.5	31.00



Dimension drawings (all dimensions in mm) - subject to alteration



BLK-250/MS/□/B