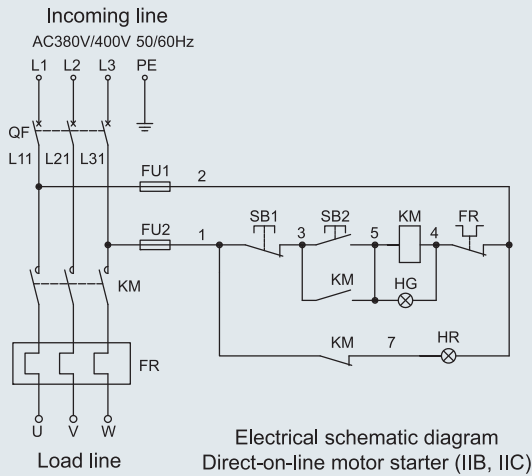


## Standard Motor Starters

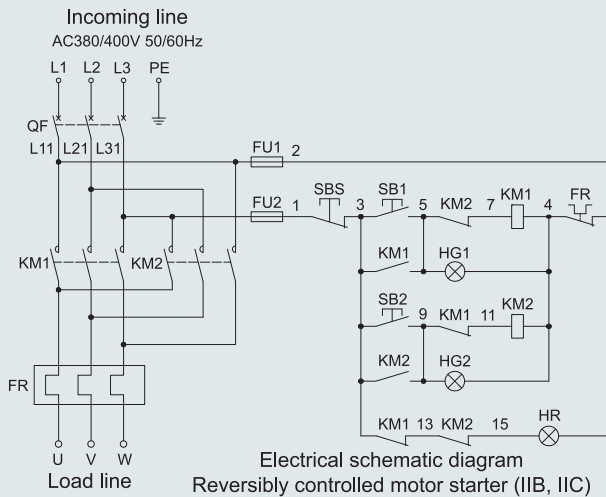
### BQD Series Explosion-proof Motor Starters (Ex d e IIC)

#### Electrical schematic diagram



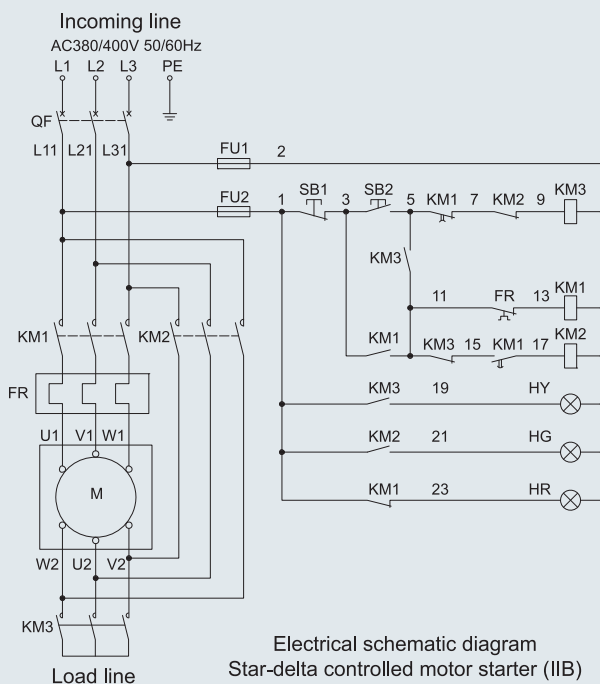
Code of electric components

- QF: circuit breaker
- KM: AC contactor
- FR: thermal relay
- FU1, FU2: fuse
- SB1: stop button
- SB2: start button
- HR: stop indicator
- HG: running indicator



Code of electric components

- QF: circuit breaker
- KM1, KM2: AC contactor
- FR: thermal relay
- FU1, FU2: fuse
- SBS: stop button
- SB1: non-reversible start button
- SB2: reversible start button
- HR: stop indicator
- HG1: non-reversible running indicator
- HG2: reversible running indicator



Code of electric components

- QF: circuit breaker
- KM1: main contactor
- KM3: star start contactor
- KM2: delta running contactor
- FR: thermal relay
- FU1, FU2: fuse
- SB1: stop button
- SB2: start button
- HR: stop indicator
- HY: star start indicator
- HG: delta running indicator

