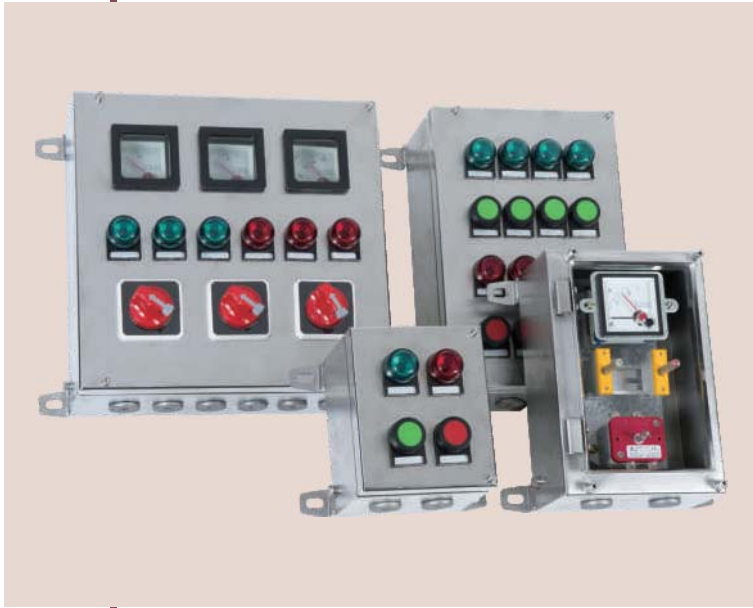
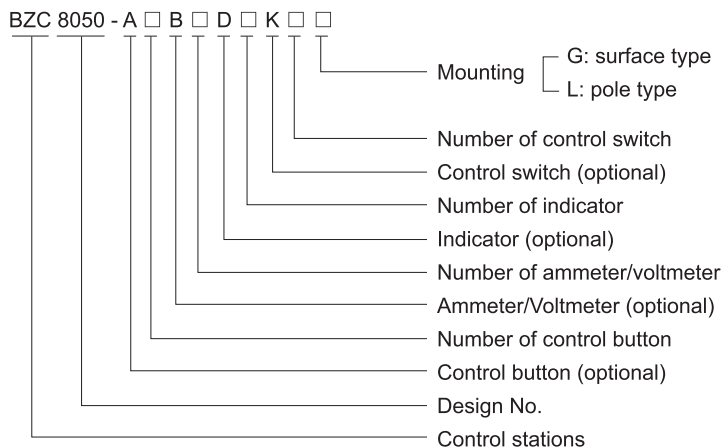


## Control Stations BZC8050 Series Control Stations (Stainless Steel)



- ◆ Explosion protection to
  - CENELEC
  - IEC
  - NEC
- ◆ Can be used in
  - Zone 1 and Zone 2
  - Zone 21 and Zone 22
  - Class I, Zone 1 and Zone 2
  - Class I, Division 2, Groups A, B, C, D
- ◆ Stainless steel enclosure.
- ◆ Four types of enclosure.

### ■ Catalogue number logic



### ■ Note

1. Please refer to the Selection table on P4/37.
2. Please select internal components as below:
  - Selection table of BA8050 control button on P4/40~43 (Nominal contact is 1NO+1NC);
  - Selection table of BD8050 indicator on P4/44~46;
  - Selection table of BK8050 control switch on P4/47~52;
  - Selection table of BB8050 explosion-proof ammeter/voltmeter on P4/53~55;
3. Example: BZC8050-A2D2G
  - Components: Two control buttons, two indicators; surface type
  - Tech. Details: One control start button (40092B + 40090-1+40091-1, green, 1NO+1NC);
  - One control stop button (40092A+ 40090-1+40091-1, red, 1NO+1NC);
  - One indicator (40116+40100-2, green, 230V AC );
  - One indicator (40115+40099-2, red, 230V AC );
4. Special requirements on request.

## Zones 1&2; 21&22

## Control Stations BZC8050 Series Control Stations (Stainless Steel)

Selection table of control station BZC8050 (stainless steel)				
Enclosure type	Components arrangement	Cable entries and direction	Ordering code	Enclosure weight (kg)
I		2-M25 x 1.5 Bottom entry	40086.....	2.80
II		1-M32 x 1.5 or 2-M25 x 1.5 Bottom entry	40087.....	4.50
III		1-M40 x 1.5 or 2-M32 x 1.5 or 4-M25 x 1.5 Bottom entry	40088.....	6.75
IV		1-M40 x 1.5 or 2-M32 x 1.5 or 6-M25 x 1.5 Bottom entry	40089.....	10.25



## Control Stations

### BZC8050 Series Control Stations (Stainless Steel)

#### Technical data

##### Control stations BZC8050 (stainless steel)

##### Explosion protection

Gas explosion protection

Ex II 2 G Ex d e IIC T6 Gb

Dust explosion protection

Ex II 2 D Ex tb IIIC T80°C Db IP65

##### Certificates

LCIE 09 ATEX 3099; IECEX CQM 11.0029

##### Conformity to standards

EN 60079-0, EN 60079-1, EN 60079-7, EN 60079-31

IEC 60079-0, IEC 60079-1, IEC 60079-7, IEC 60079-31

##### Enclosure material

Stainless steel

##### Enclosure colour

Metal colour

##### Exposed fastener

Stainless steel

##### Rated voltage

Max. 415V AC

##### Rated current

Main circuit current: 6A (for BZC8050-A2D2, BZC8050-A2B1)

16A (for BZC8050-K1)

10A (for others)

##### Degree of protection

IP65

##### Ambient temperature

-20°C~+55°C

##### Components

1. Technical data of BA8050 control button on P4/40~43;

2. Technical data of BD8050 indicator on P4/44~46;

3. Technical data of BK8050 control switch on P4/47~52;

4. Technical data of BB8050 explosion-proof ammeter/voltmeter on P4/53~55;

##### Cable entries

M□ x 1.5 plug, please see the Selection table on P4/37

##### Cable gland (optional)

DQM-I (Ex e) is recommended. Please see P7/17~19

##### Mounting

Surface type

Pole type (for enclosure I,II, III only)

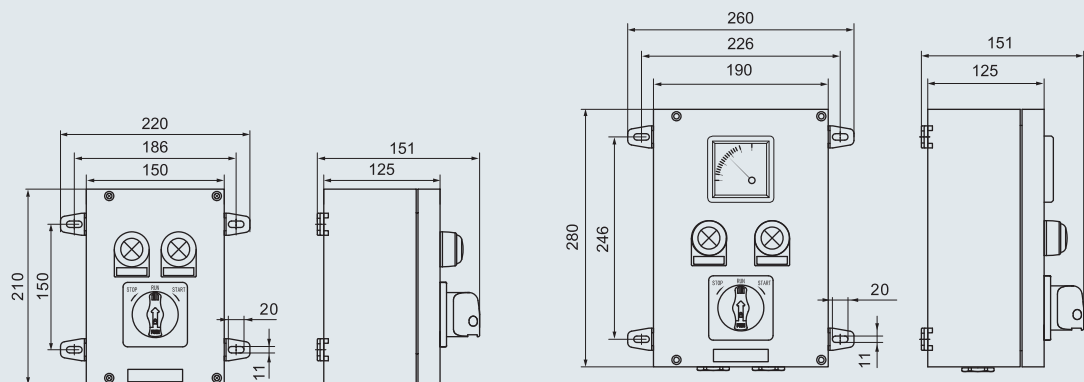
##### Note

1. Please specify the number and size of entries (applicable for surface type only);

2. For pole type, only G1" entry is applicable;



#### Dimension drawings (all dimensions in mm) - subject to alteration

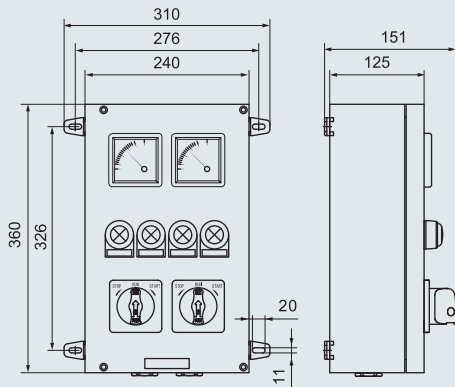


Enclosure I

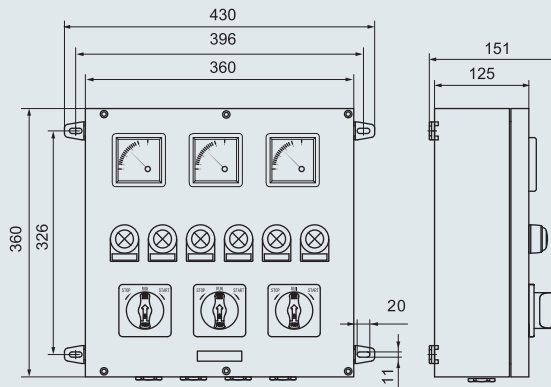
Enclosure II

## Control Stations BZC8050 Series Control Stations (Stainless Steel)

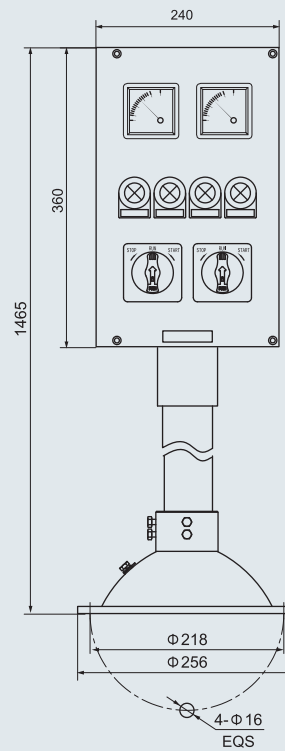
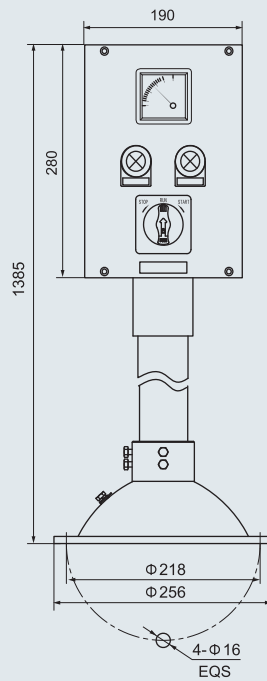
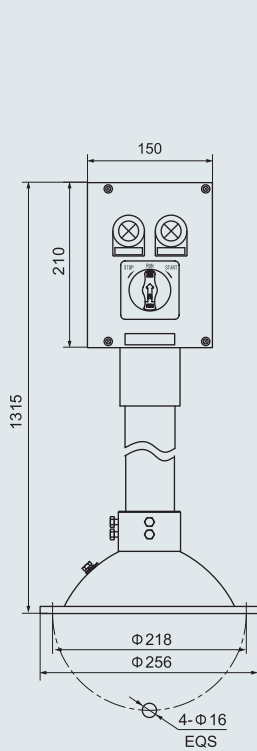
Dimension drawings (all dimensions in mm) - subject to alteration



Enclosure III



Enclosure IV



Pole type (for enclosure I, II, III only)

